

STEINER

ST415

# Wheel Balancer



**WHEEL BALANCER FOR CAR DEALERSHIPS,  
WORKSHOPS AND GARAGES**



## Ideal for:

The Steiner ST415 is the perfect option for Car Dealerships, Workshops and Garages that would like to add wheel balancing to their capabilities.

## Features:

- › Includes 5 ALU balancing and 2 ALU smart programs with intelligent toggle of STD and ALS2 balance modes
- › Auto start-stop with electro magnetic bracket to lock wheel at the imbalance position
- › LED Light for inner wheel illumination
- › German Haweka Quick Lock System for precision wheel clamping and long service life
- › 40mm balance shaft to fit standard industry accessories
- › Manual data input
- › Italian designed with Italian software for precision, long term accuracy and functionality.

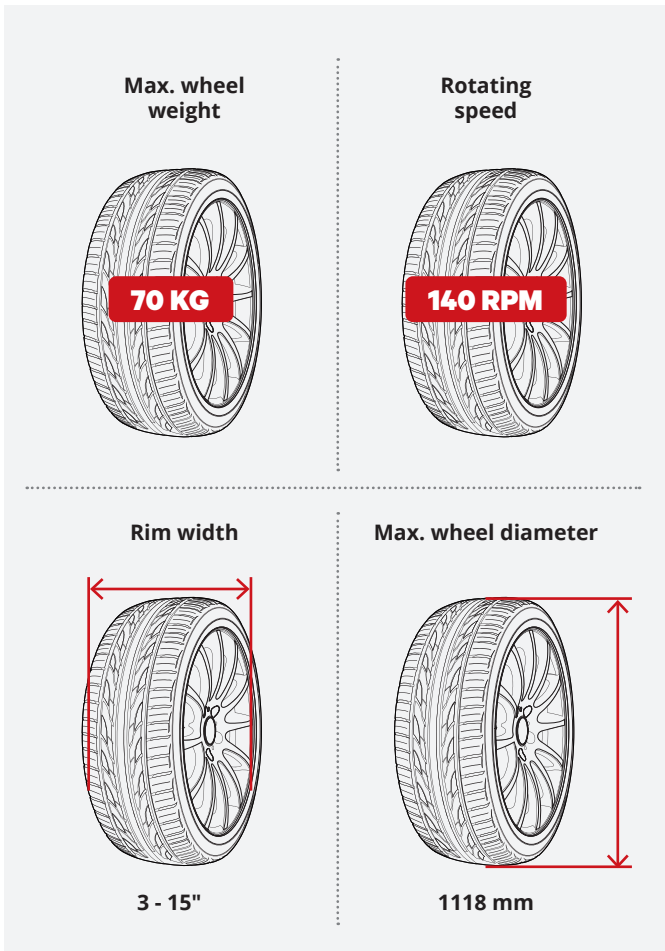
OUR PROMISE:  
**100**  
ONE HUNDRED DAYS  
100% SATISFACTION

If you are not 100% satisfied with your equipment, Treadway Equipped will repair, replace or refund the equipment free of charge within the first 100 days.

ST415

# Wheel Balancer

**STEINER**

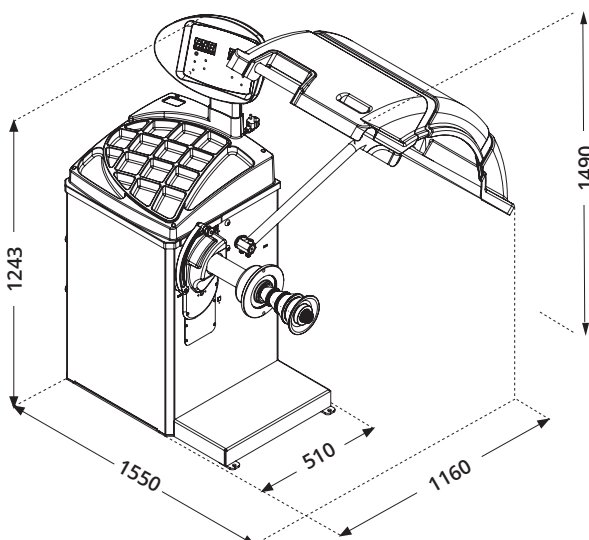


### Features:

- › Includes 5 ALU balancing and 2 ALU smart programs with intelligent toggle of STD and ALS2 balance modes
- › Auto start-stop with electro magnetic bracket to lock wheel at the imbalance position
- › LED Light for inner wheel illumination
- › German Haweka Quick Lock System for precision wheel clamping and long service life
- › 40mm balance shaft to fit standard industry accessories
- › Manual data input
- › Italian designed with Italian software for precision, long term accuracy and functionality.

### SPECIFICATIONS

Power Supply	240V 50hz
Rim diameter	8"-28"
Rotating speed	140 RPM
Maximum wheel diameter	1118mm
Maximum wheel weight	70 kg
Balance period	7s
Balance precision	+/- 1 g
Motor power	90W
Noise level	<75dB
Second time mounting on precision	<5 g
Dimensions	1160mm W x 1550mm L x 1490mm H
Weight	132 kg





OUR PROMISE:

**100**

ONE HUNDRED DAYS  
100% SATISFACTION

If you are not 100% satisfied with your equipment, Treadway Equipped will repair, replace or refund the equipment free of charge within the first 100 days.

**0800 436 436**  
treadwayequipped.co.nz